

# EEX Extruder System

Extruder simplifies safe, high-quality processing of hot melt adhesive granules.



Nordson extruders provide precise, homogenous melting of adhesive granules. As only the material immediately needed is processed, production is virtually maintenance free and crosslinking of adhesive is nearly impossible. Additionally, switching adhesives does not require cleaning the extruder.

## High Quality and Safety

- Protection against running dry with safety cutoff in case of interrupted granule feed.
- Soft start-up to avoid pressure peaks.
- Water cooled draw-in area prevents clogging of granules and backwash of liquid material.
- Hardened nitride steel cylinder and worm.
- Pressure control for feeding flanged pump station coating heads.

## Flange-mounted Pump Station

- Volumetric dosing with up to four separately controlled gear pumps.
- Maintenance-free, three-phase AC motors with frequency converter.
- Safety pressure switch at each pump exit.
- Automatic control for pumps and dosing heads.

## Features

- Microprocessor-controlled, multi-circuit temperature control including delayed warm-up phase for all temperature control circuits.
- Error diagnostic program for all temperature circles.
- Start-up circuit with monitoring of temperature drops and temperature increases for all heating zones.
- Cylinder and worm manufactured of nitride steel, hardened.
- Water cooled draw-in area for connection to cooling water circulation or external cooling system (optional).
- Gear pump station with continuously adjustable gear pumps with AC drive (optional).

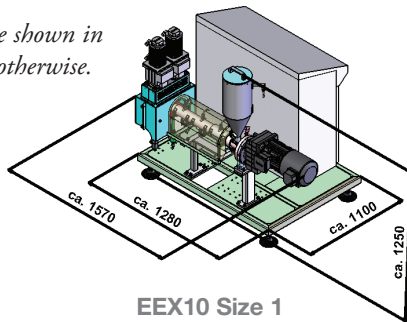
# EEX Extruder System

## Technical Specifications

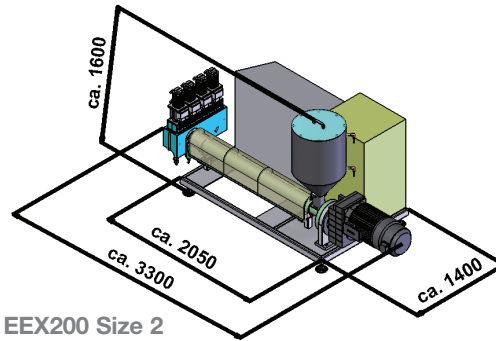
Extruder	Performance l/hr (depending on material)	Wattage/ Motor	Max. Pump Stations	Dimensions L x W (mm)	Hopper Volume (l)
EEX10	10	2.2 kW	1 / 2 x GP03-30	1570 x 1100	15
EEX40	40	5.5 kW	1 / 2 / 4 x GP03-30	1850 x 1100	30
EEX100	100	11 kW	1 / 2 / 4 x GP03-30	2500 x 1100	75
EEX200	200	22 kW	1 / 2 / 4 x GP03-30	3300 x 1400	150

## Dimensions

All dimensions are shown in mm unless noted otherwise.



EEX10 Size 1



EEX200 Size 2

## Options

	EEX10	EEX40	EEX100	EEX200
Protective Grid Pump Station	✓	✓	✓	✓
Cooling Unit Integrated/External	○ / ●	○ / ●	● / ○	● / ○
Level Control: Hopper Full	●	●	●	●
Level Control: Hopper Almost Empty	●	●	●	●
Level Control: Hopper Empty	●	●	●	●
Stand-by	●	●	●	●
Week Timer	●	●	●	●
Pressure Sensor in Front of Pump Station	✓	✓	✓	✓
Casters (unit freely movable)	●	●	●	●
Material Slide	✓	✓	✓	✓
Hopper - Protective Grid	●	●	●	●
Temperature Sensor PT 100	✓	✓	✓	✓
Temperature Sensor Ni 120	●	●	●	●
Pump Station 1 Single	●	●	●	●
Pump Station 2 Fold	●	●	●	●
Pump Station 4 Fold	○	●	●	●
Pump Station 1 to 2 Fold with Return Connection (circulation)	●	●	●	●
Additional Electrical H/G Connector (2 zones)	Depending on configuration			

✓ = Standard   ● = Option Available   ○ = Option Not Available



For more information, speak with your Nordson representative or contact your Nordson regional office.

### United States

Duluth, Georgia  
(800) 683-2314 **Phone**  
(866) 667-3329 **Fax**

### Canada

Markham, Ontario  
(800) 463-3200 **Phone**  
(905) 475-8821 **Fax**

### Europe

Erkrath, Germany  
(49) 211-9205-0 **Phone**  
(49) 211-254658 **Fax**

### Japan

Tokyo, Japan  
(81) 3-5762-2700 **Phone**  
(81) 3-5762-2701 **Fax**

### Asia/Australia/

**Latin America**  
Amherst, Ohio  
(440) 985-4797 **Phone**  
(440) 985-1096 **Fax**

### Find us on:



PAL-16-5927  
Reissued 8/16  
© 2016, 2007 Nordson Corporation  
All Rights Reserved.  
Printed in U.S.A.  
Nordson reserves the right to make design changes between printings.