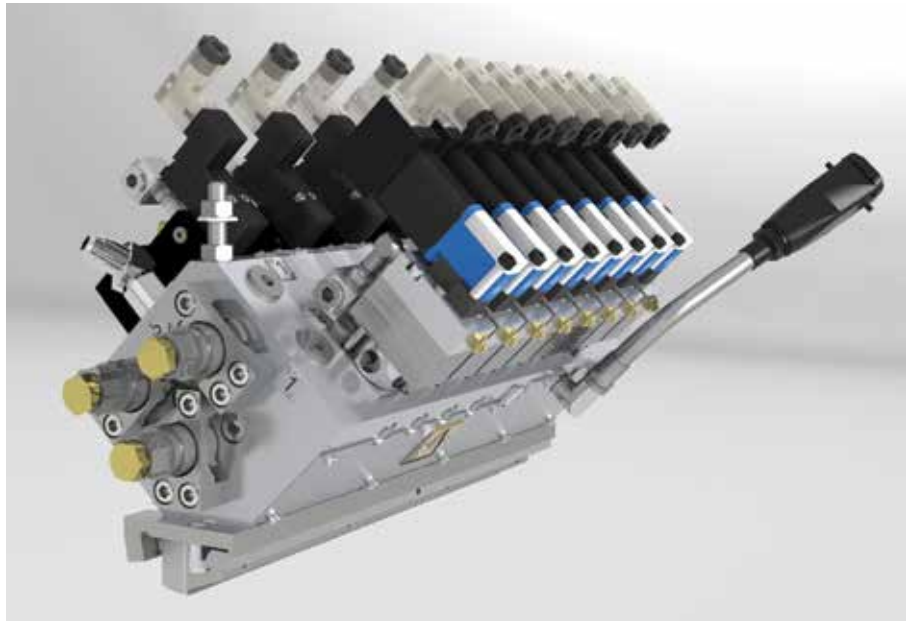


# Trio™

## Variable Dispense Slot Applicator

Efficiently tailor adhesive dispensing to improve product performance and hand.



Patented Trio slot applicators use multiple dispensing modules and an array of three shims to deliver patterns with differing add-on weights in both machine and cross-web directions. Multiple material dispensing can be supported from a single applicator, with single or multiple materials effectively layered simultaneously or in quick succession.

Trio applicators utilize the proven high-speed, long-life Speed-Coat® snuff-back module to deliver precise adhesive cutoff to support demanding intermittent applications.

### Benefits

- **Produce high-quality, high-performance products** by applying appropriate add-on rates to meet varying functional and sensory performance needs.
- **Increase adhesive savings** by optimizing add-on rates at various positions in a pattern.
- **Improve production efficiency** by dispensing a diverse adhesive pattern at a single production point.
- **Maximize equipment utilization** by having a single dispense system apply the necessary adhesive.

\* Patent Number 7,152,815

The Nordson logo consists of a blue curved line above the word "Nordson" in a bold, blue, sans-serif font.

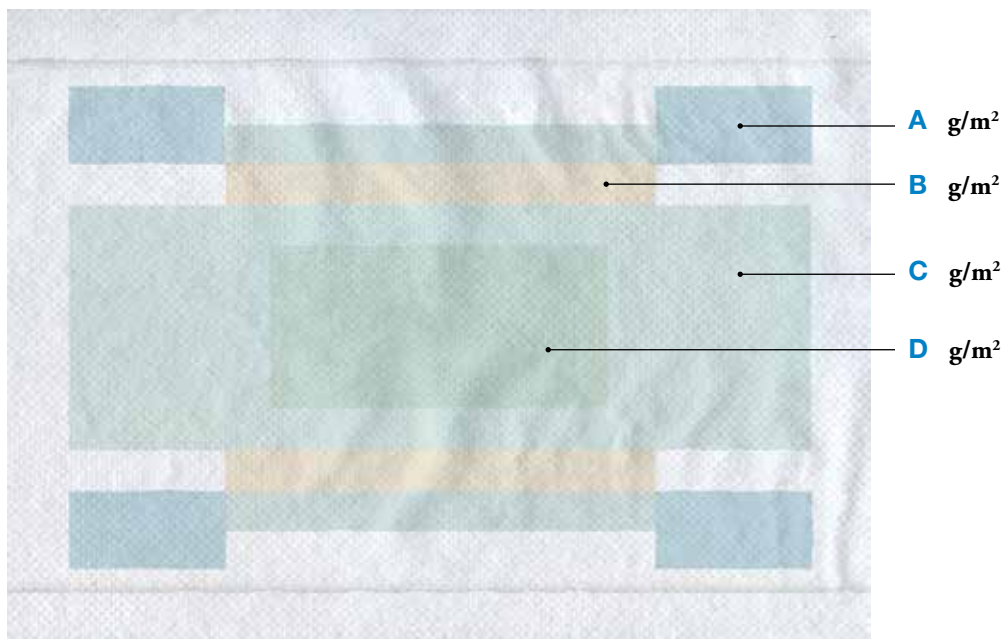
**Specifications**

Cycles <sup>1</sup>	Up to 9000 cycles/min
Operating Temperature	200° C (392° F) maximum
Application Width <sup>2</sup>	Up to 500 mm (19.5 in.)
Body Width	Up to 550 mm (1.97 to 21.5 in.)
Temperature Sensors	Fe/Ko Thermocouple, Nickel or Platinum RTD
Actuation Air Pressure <sup>3</sup>	5 to 6 bar (72.5 to 87 psi)
Operating Voltage	230 VAC, 50/60 Hz, 1 phase
Control Voltage	24 VDC

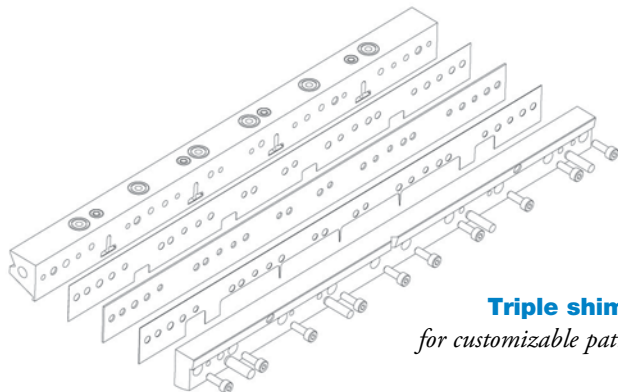
<sup>1</sup>Maximum number of cycles depends on operating and control air pressure, as well as adhesive viscosities.

<sup>2</sup>Wider application widths are available upon request.

<sup>3</sup>Oil-free air must be used.



**Sample "Window" Pattern**  
*(different colors represent different add-on rates)*



**Triple shim design**  
*for customizable pattern development*

**For more information, speak with your Nordson representative or contact your Nordson regional office.**

**United States**

Duluth, Georgia  
(800) 683-2314 **Phone**  
(866) 667-3329 **Fax**

**Europe**

Lüneburg, Germany  
(49) 4131-894-0 **Phone**  
(49) 4131-894-149 **Fax**

**Japan**

Tokyo, Japan  
(81) 3-5762-2700 **Phone**  
(81) 3-5762-2701 **Fax**

**Asia/Australia/  
Latin America**

Amherst, Ohio  
(440) 985-4496 **Phone**  
(440) 985-1096 **Fax**

**Find us on:**



NWL-14-5844  
Reissued 7/14  
© 2014 Nordson Corporation  
All Rights Reserved.  
Printed in U.S.A.  
Nordson reserves the right to make design changes between printings.